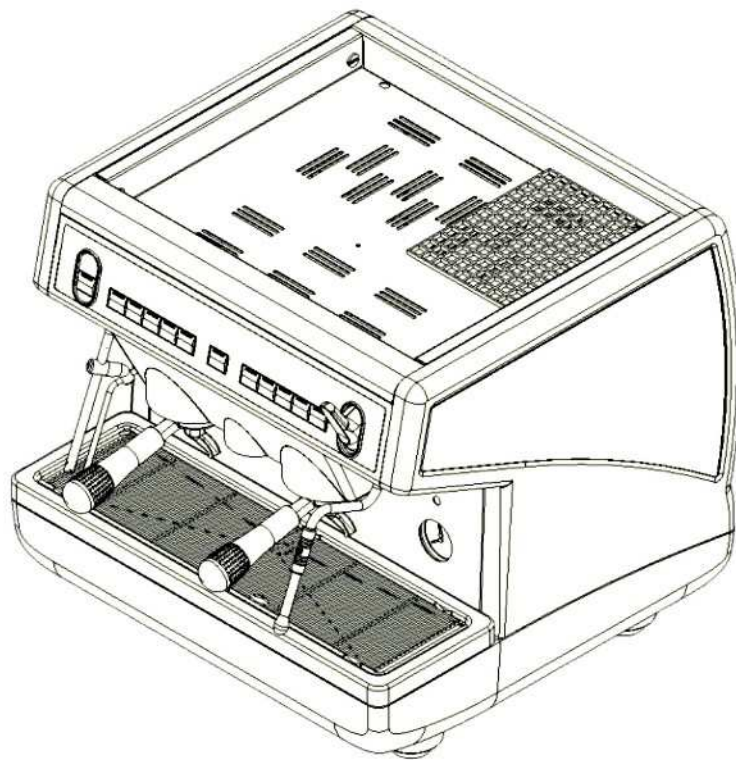


PRODOTTI / RICAMBI
PRODUCTS / SPARE PARTS
PRODUITS / PIÈCES DÉTACHÉES
PRODUKTE / ERSATZTEILE
PRODUCTOS / REPUESTOS

APPIA II

Esplosi: mod. "2GR compact"

22/04/2014



 nuova
SIMONELLI®

INDICE

- » TAV □1 - **COMPONENTI GRUPPO CARENA**
CABINET PARTS
- » TAV □2 - **COMPONENTI GRUPPO INVOLUCRO COMANDI**
CONTROL PANEL PARTS
- » TAV □3 - **COMPONENTI GRUPPO EROGAZIONE**
POURING UNIT GROUP PARTS
- » TAV □4 - **COMPONENTI IDRAULICI**
HYDRAULIC PARTS
- » TAV □5 - **COMPONENTI RUBINETTI VAPORE E ACQUA CALDA**
STEAM & HOT WATER VALVES PARTS
- » TAV □6 - **COMPONENTI AUTOSTEAM**
AUTOSTEAM PARTS
- » TAV □7 - **COMPONENTI GRUPPO IDRAULICO**
HYDRAULIC GROUP PARTS
- » TAV □8 - **COMPONENTI CALDAIA**
BOILER PARTS
- » TAV □9 - **COMPONENTI TELAIO**
FRAME PARTS
- » TAV 1□ - **COMPONENTI ELETTRICI ED ELETTRONICI**
ELECTRONIC & ELECTRIC PARTS

» LEGENDA :

I CODICI SCRITTI IN GRASSETTO SI RIFERISCONO AI COMPONENTI IMPIEGATI ATTUALMENTE.

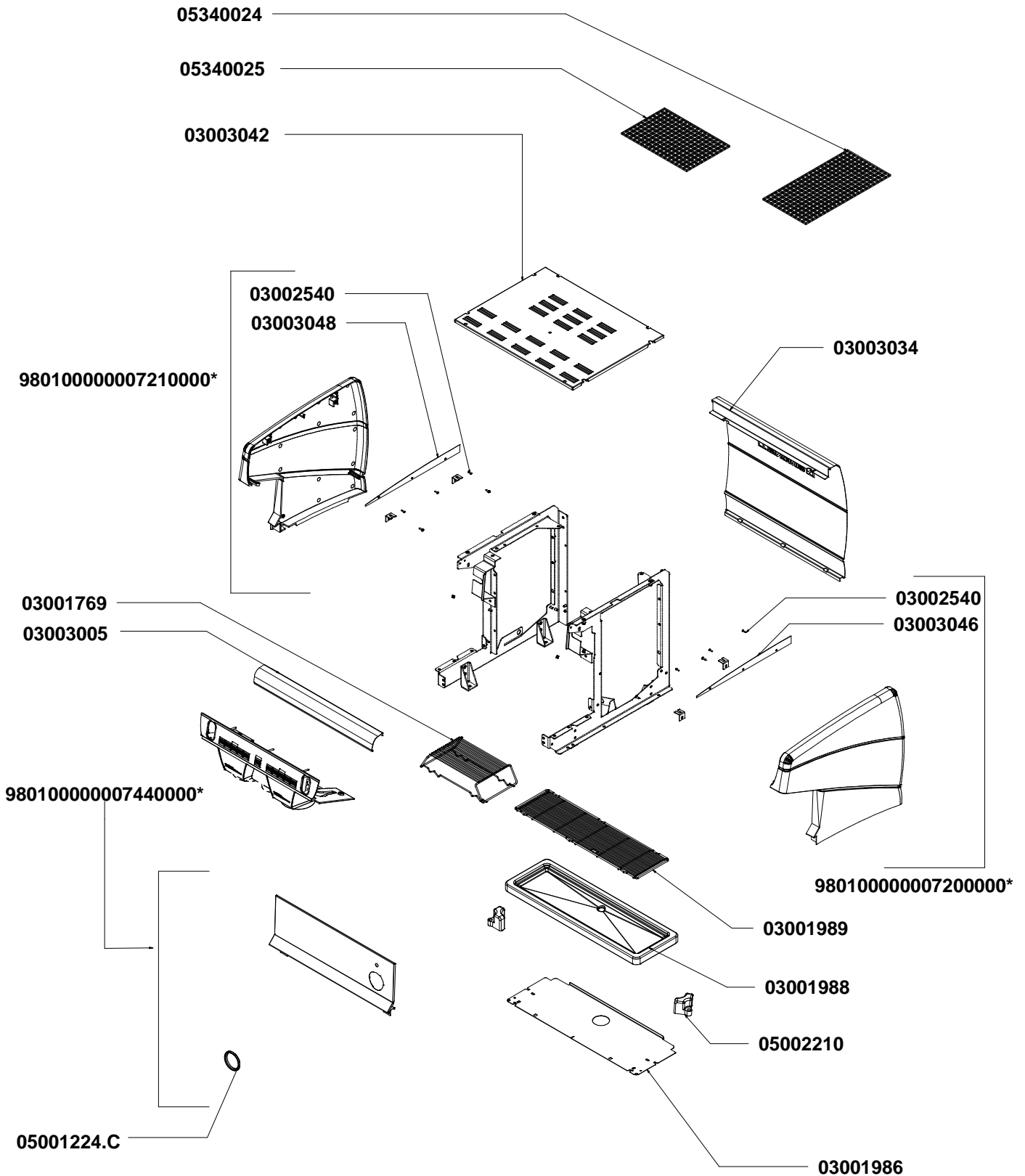
I CODICI IMPIEGATI PRIMA SONO SCRITTI IN CORSIVO CON INDICATA A FIANCO LA DATA DI FINE VALIDITA'.

ESEMPIO:

07300127 (φ2.5) - 16/05/2007
07300226 (φ2)

COMPONENTI GRUPPO CARENA CABINET PARTS

A
P
P
I
A
II
C
O
M
P
A
C
T

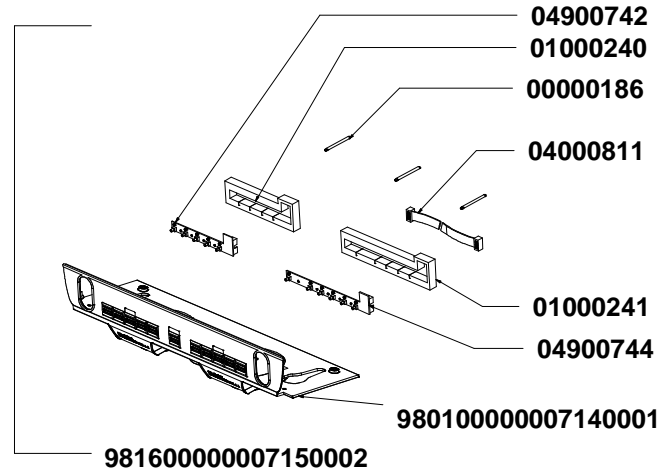
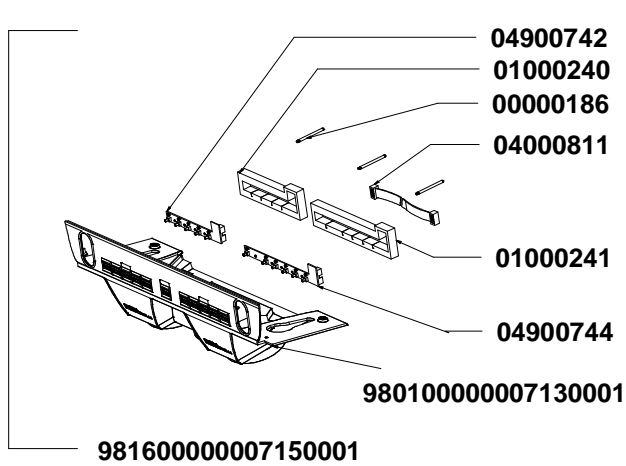


* SPECIFY VERSION
SPECIFICARE VERSIONE

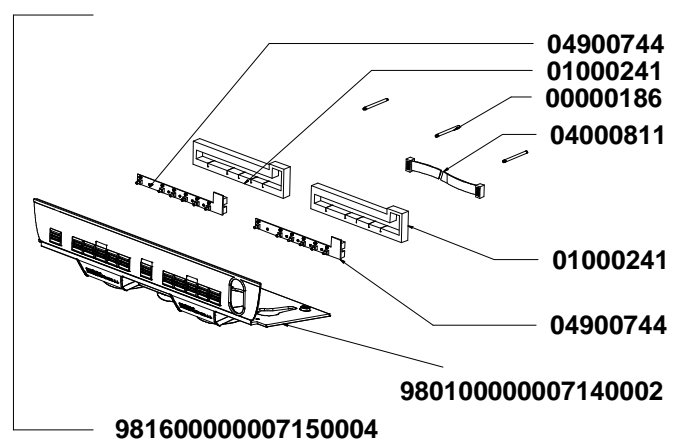
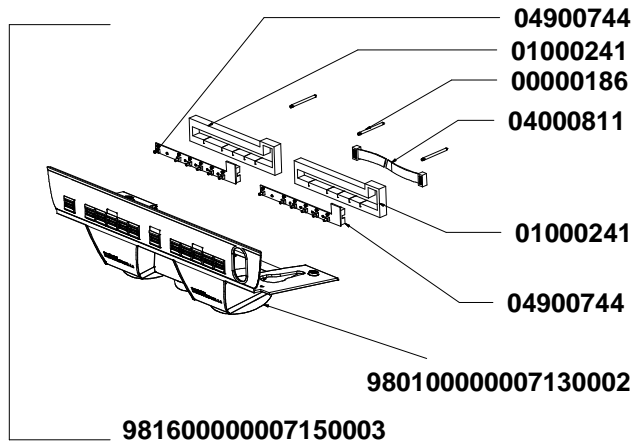
COMPONENTI GRUPPO INVOLUCRO COMANDI CONTROL PANEL PARTS

A
P
P
I
A
I
I
C
O
M
P
A
C
T

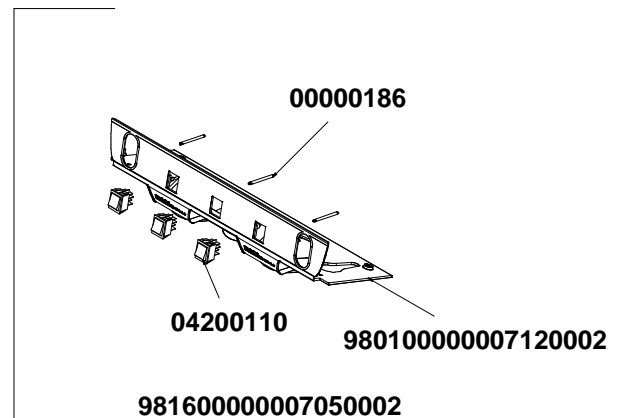
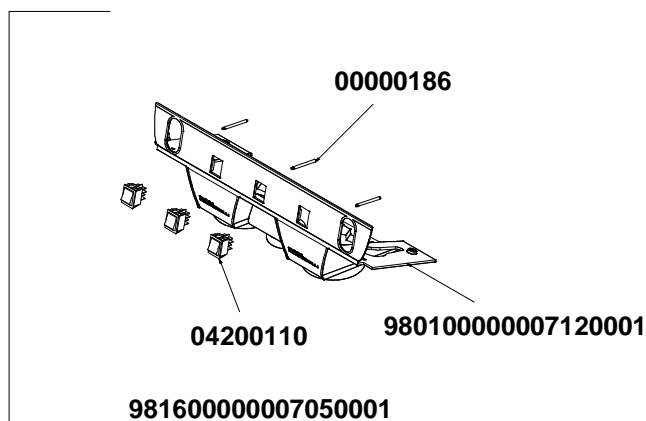
VOL



VOL + AUTOSTEAM



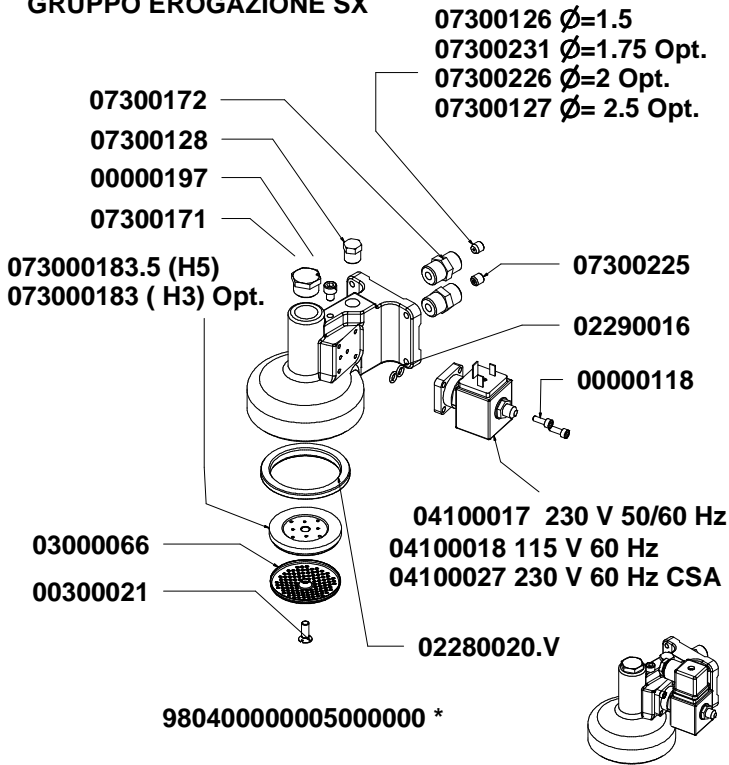
SEM



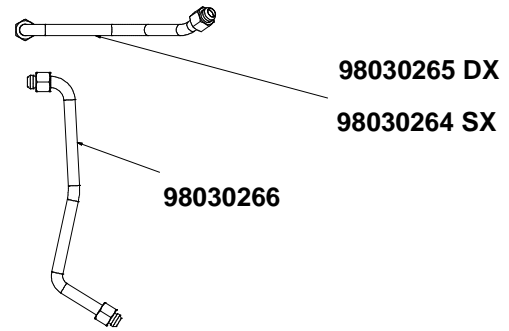
COMPONENTI GRUPPO EROGAZIONE POURING UNIT GROUP PARTS

A
P
P
I
A
I
I
C
O
M
P
A
C
T

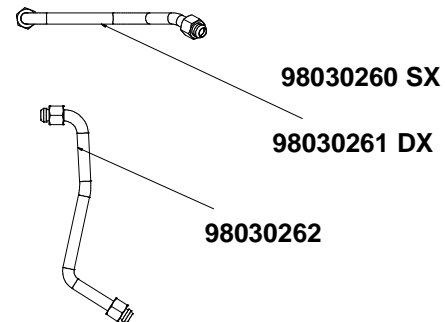
GRUPPO EROGAZIONE SX



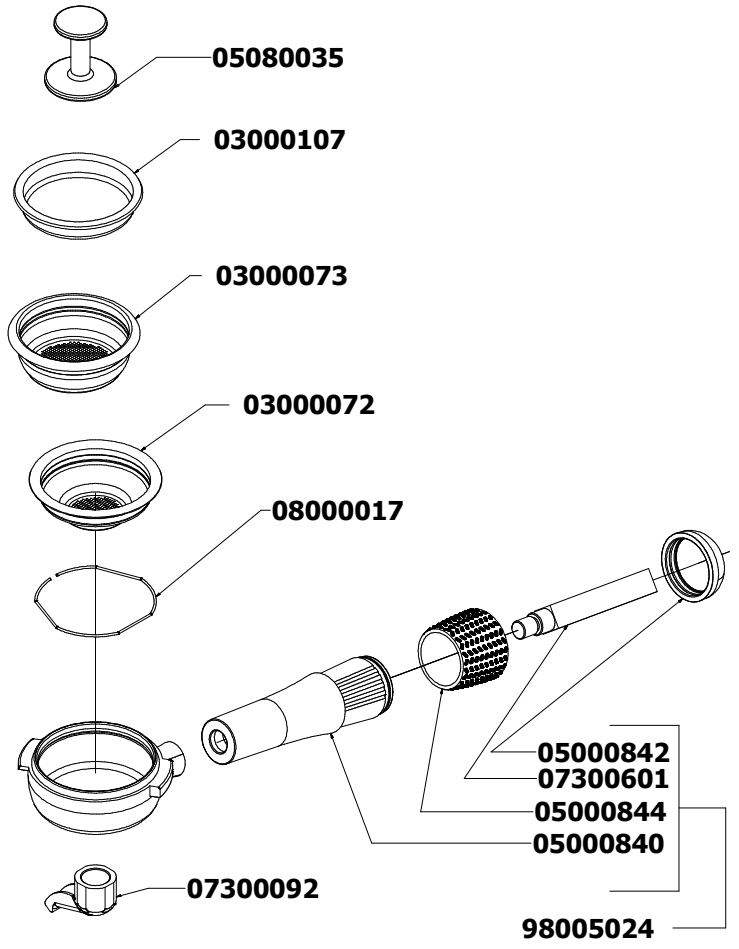
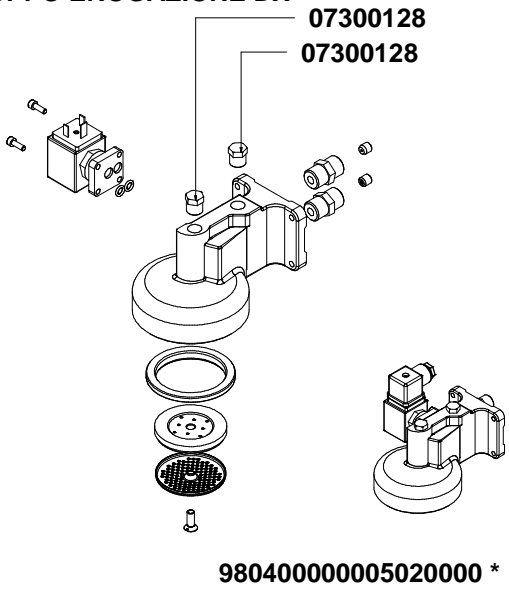
GRUPPI ALTI HIGH GROUPS



GRUPPI BASSI LOW GROUPS



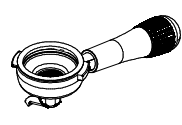
GRUPPO EROGAZIONE DX



98005022

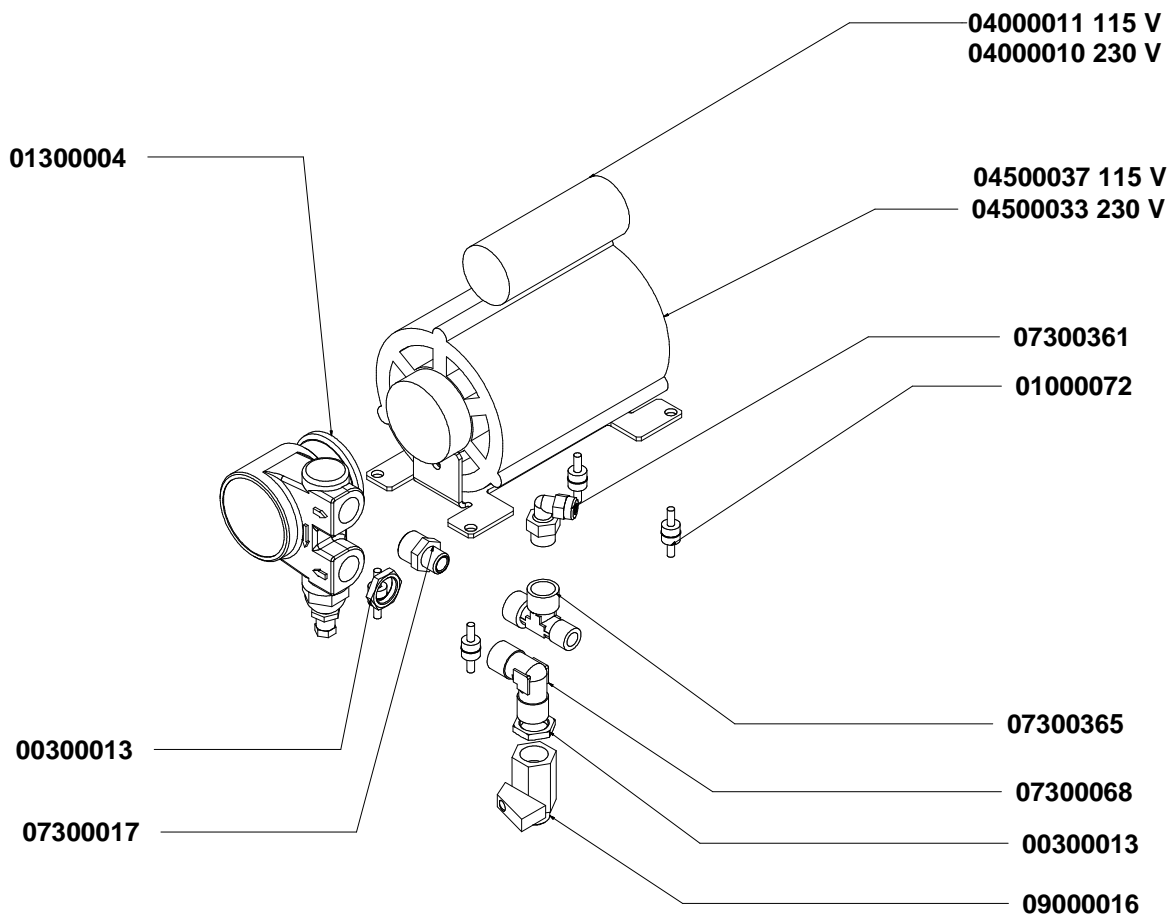
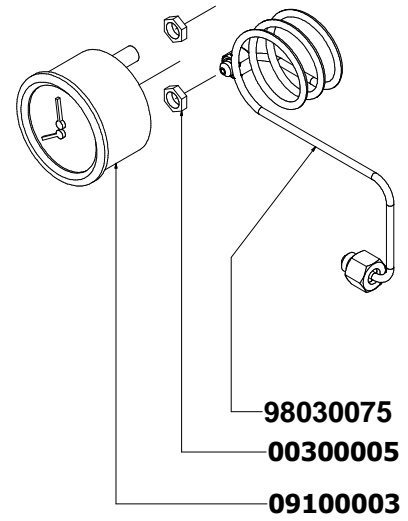
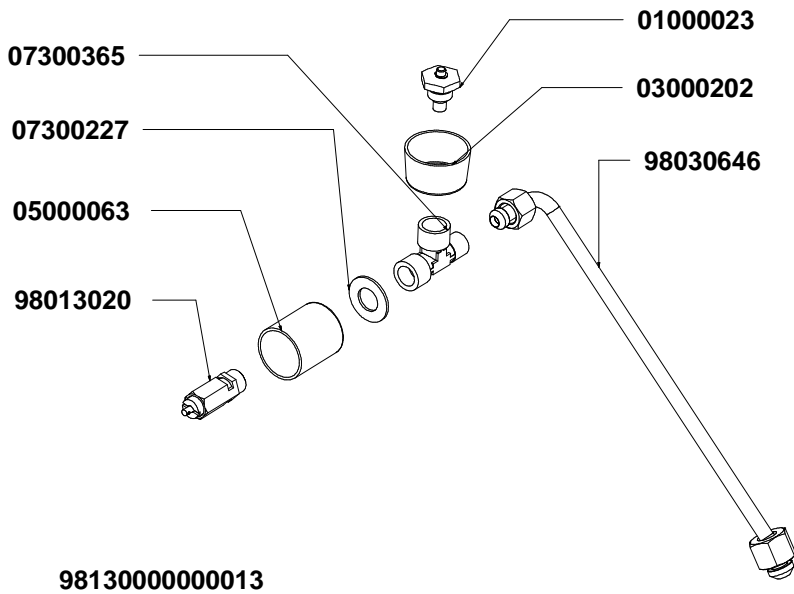


98005021



* SPECIFY VERSION
SPECIFICARE VERSIONE

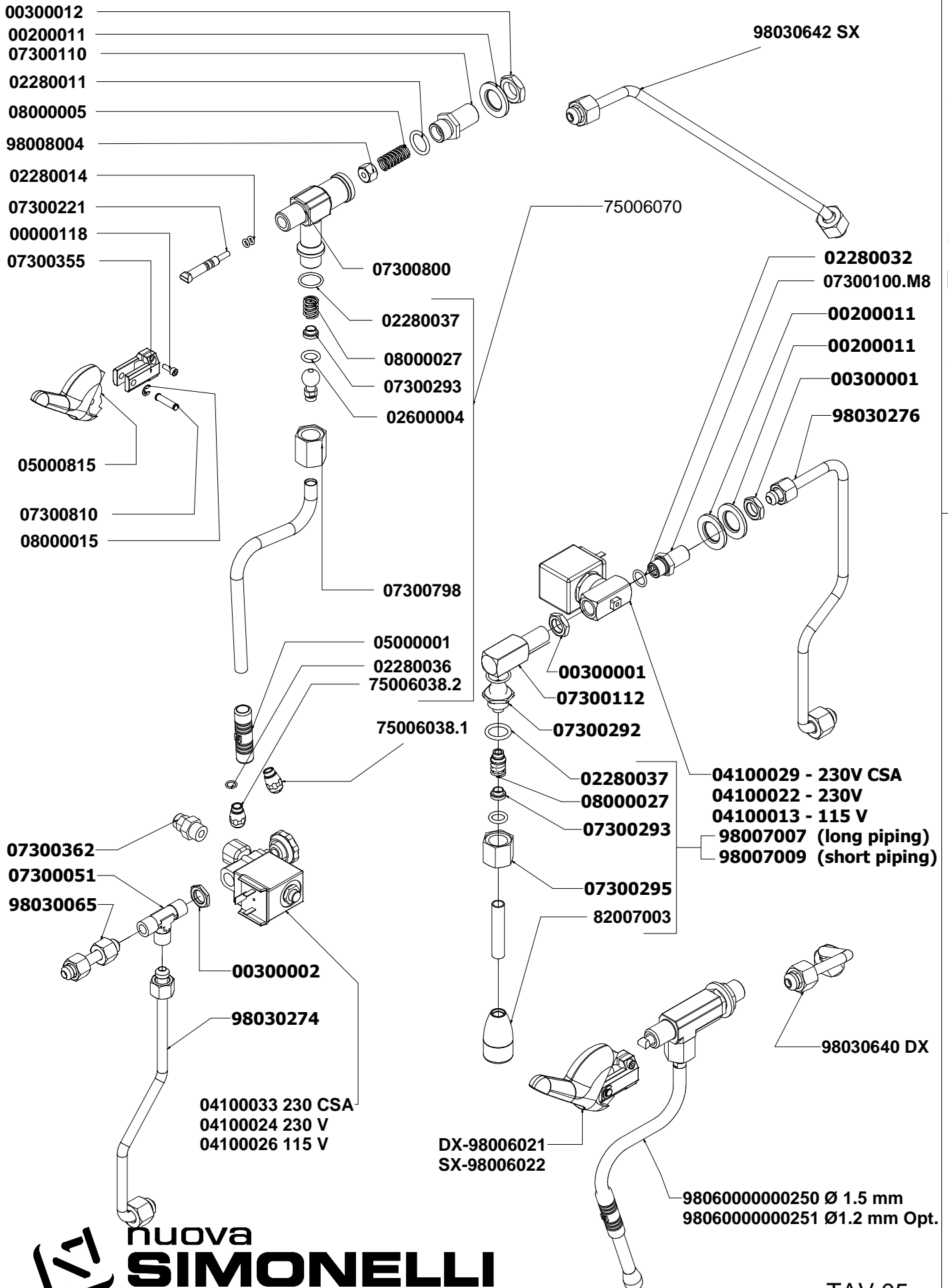
COMPONENTI IDRAULICI HYDRAULIC PARTS



Componenti idraulici		
Codice	Descrizione	Description
01000113	Tubo ingresso L=1500	Filling tube
01000087	Tubo scarico	Draining tube
00000133	Fascetta	Stanless still girdle

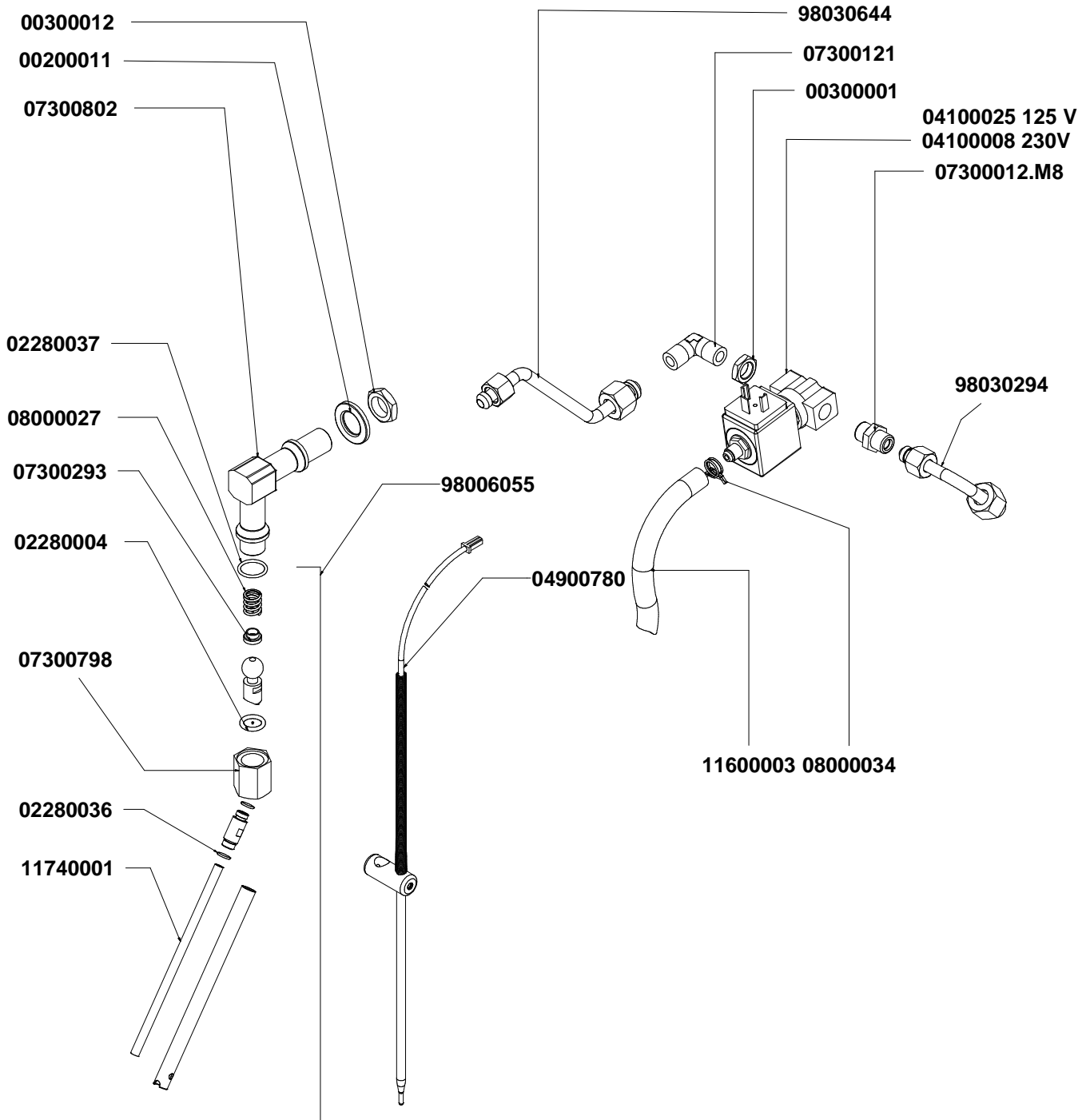
COMPONENTI RUBINETTI VAPORE E ACQUA CALDA STEAM & HOT WATER VALVES PARTS

A
P
P
I
A
I
I
C
O
M
P
A
C
T



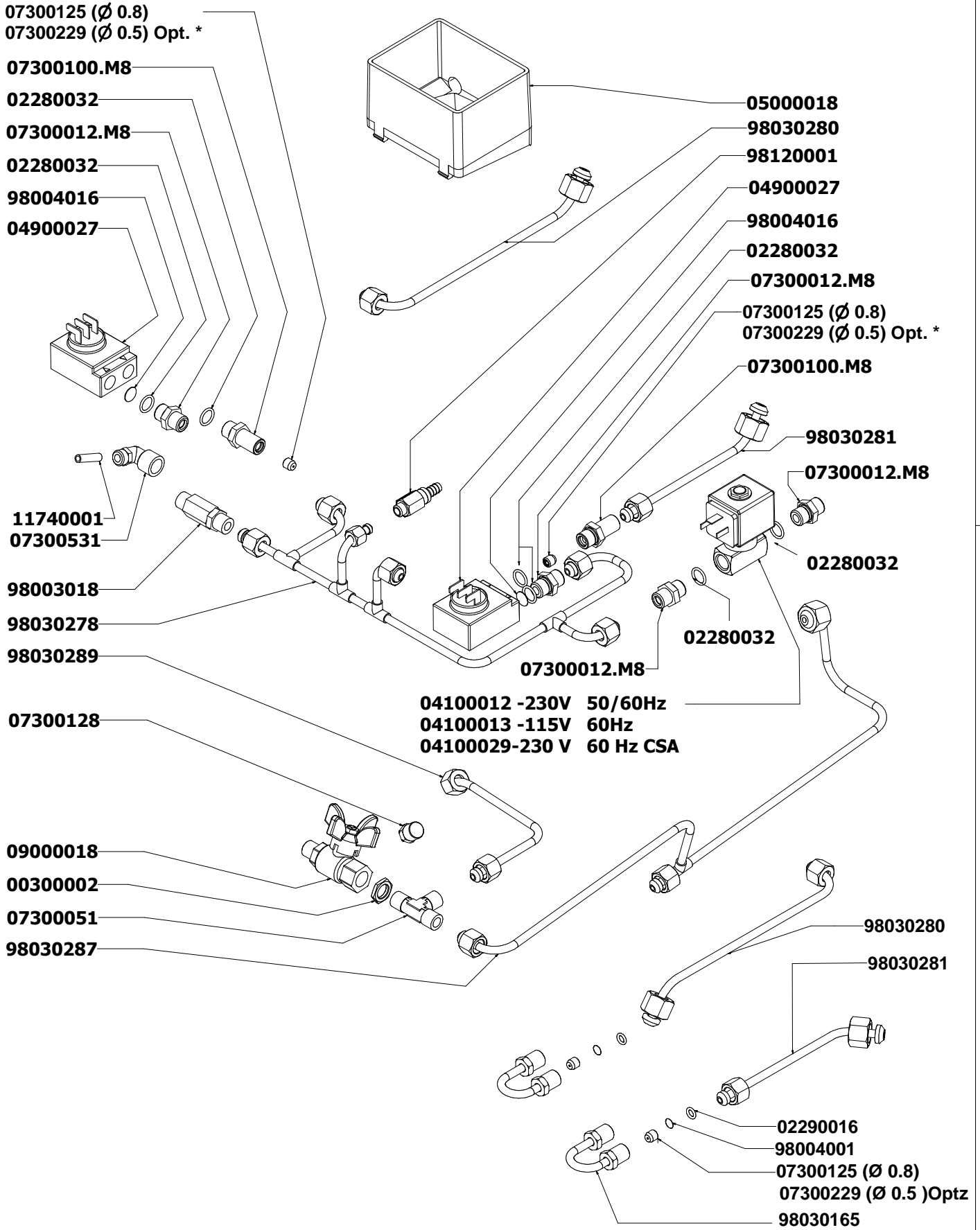
COMPONENTI AUTOSTEAM AUTOSTEAM PARTS

A
P
P
I
A
II
C
O
M
P
A
C
T



COMPONENTI GRUPPO IDRAULICO HYDRAULIC GROUP PARTS

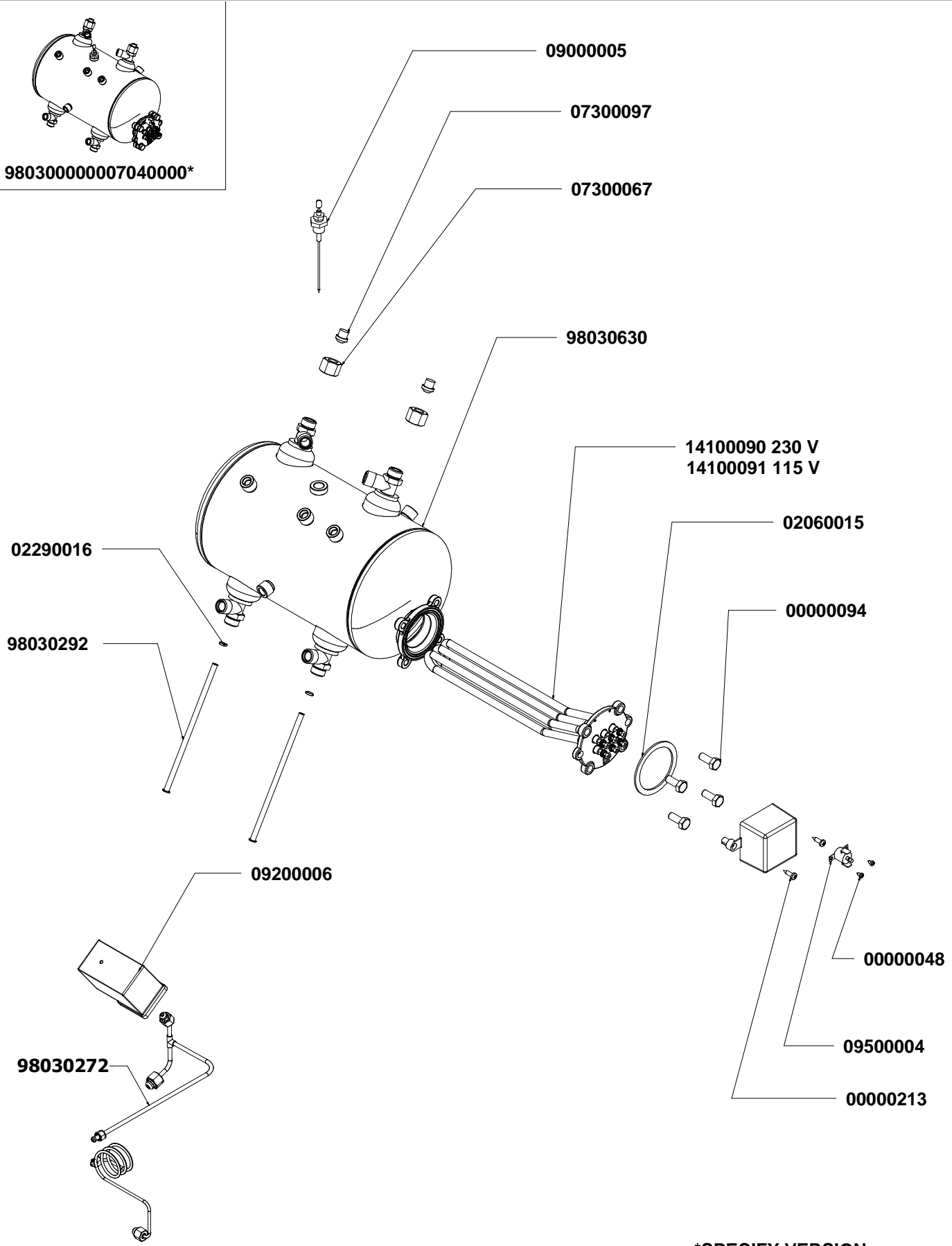
A
P
P
I
A
I
I
C
O
M
P
A
C
T



COMPONENTI GRUPPO CALDAIA BOILER PARTS

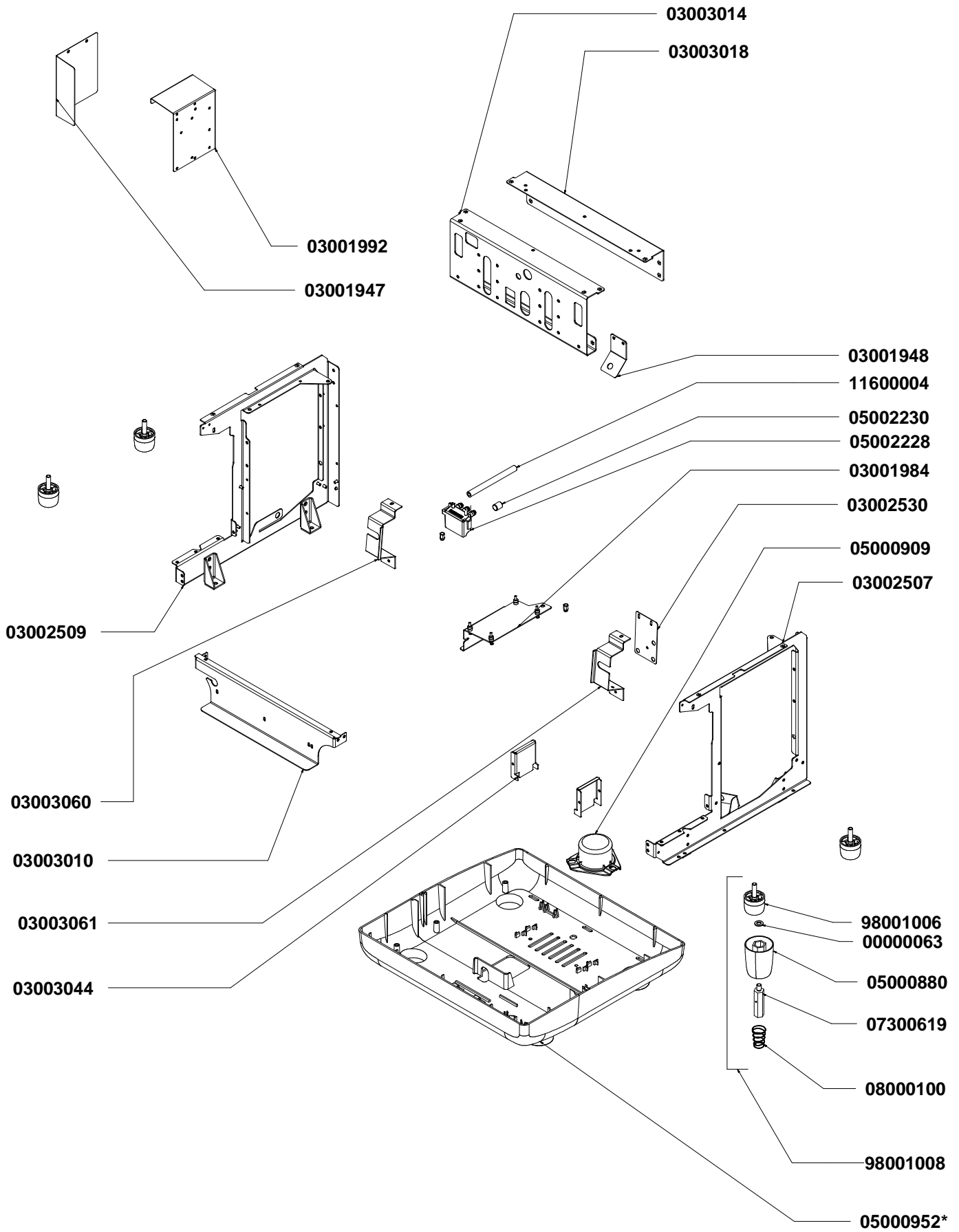
A
P
P
I
A
I
I

C
O
M
P
A
C
T



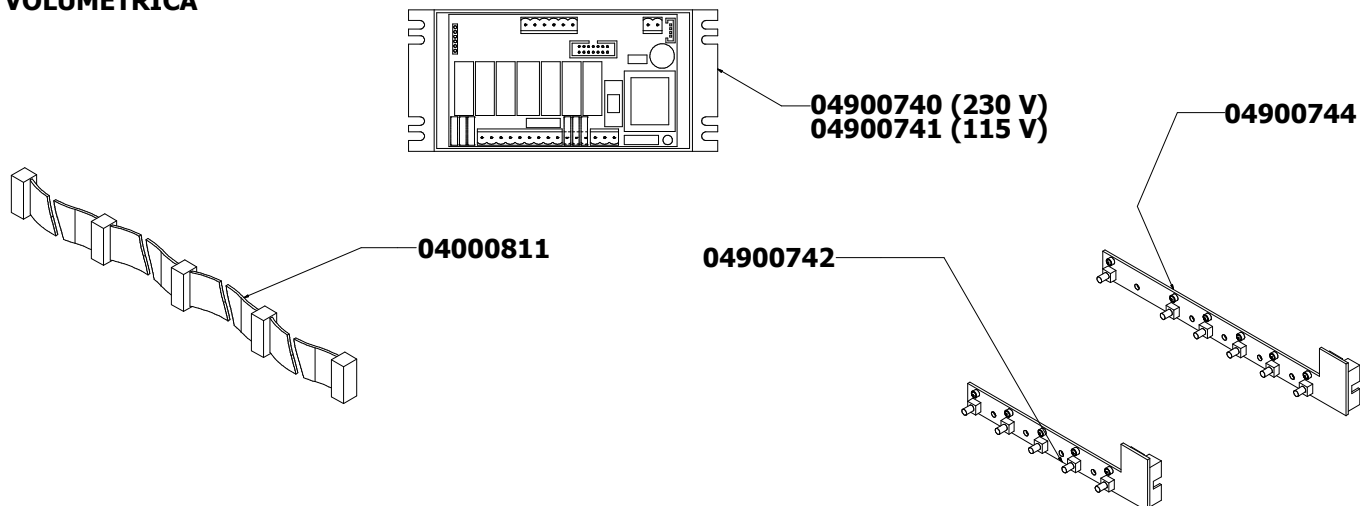
*SPECIFY VERSION
SPECIFICARE VERSIONE

COMPONENTI TELAIO FRAME PARTS

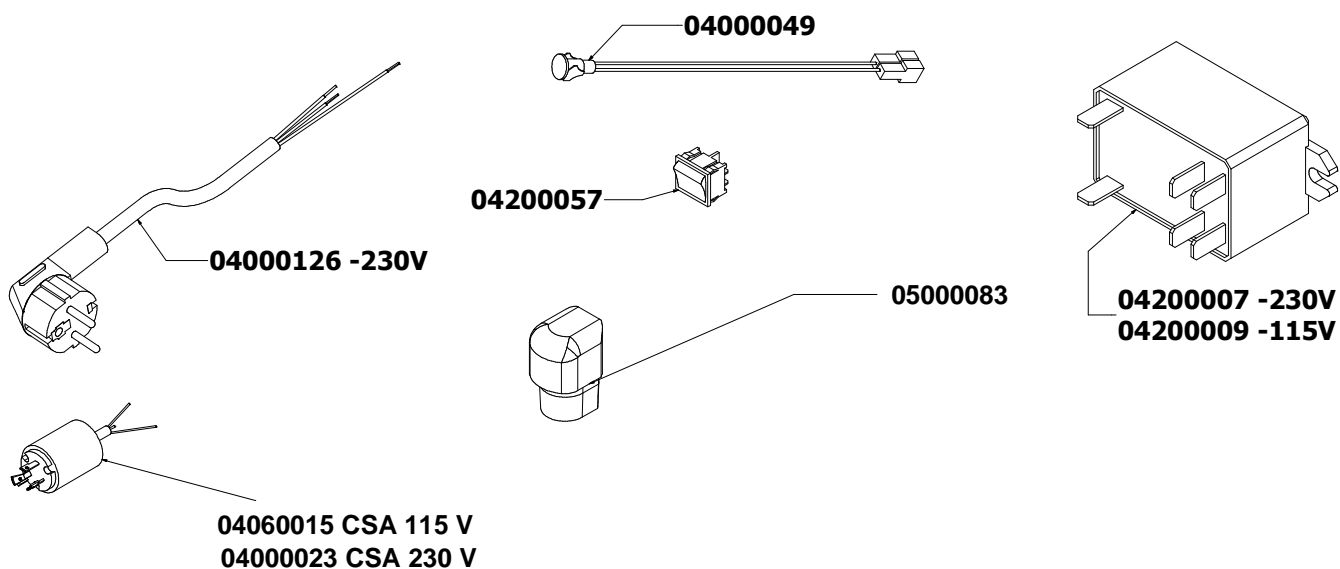
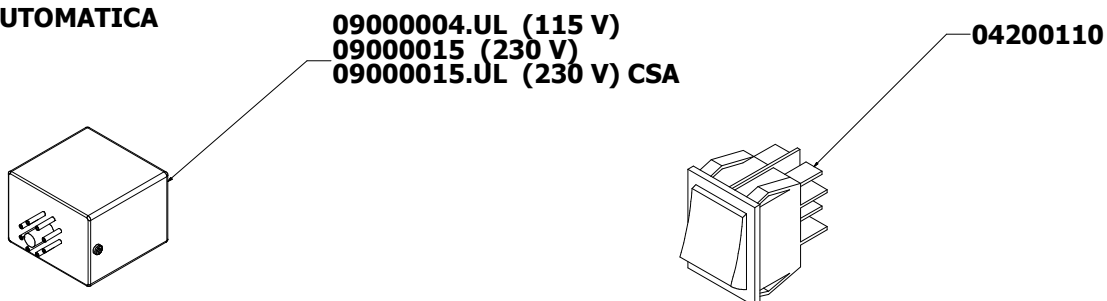


COMPONENTI ELETTRICI ED ELETTRONICI ELECTRONIC & ELECTRIC PARTS

VOLUMETRICA



SEMIAUTOMATICA



Componenti elettrici	
COD	Descrizione
04000368	Supplemento 1 GR Aurelia
04000819	Cablaggio volumetrica
04000818	Cablaggio semiautomatica

CODICE	DESCRIZIONE	DESCRIPTION	END VALIDITY
04900744	SCHEDA EROG. GRUPPO 2 +ACQUA CALDA APPIA COMPACT	BREWING GROUP 2 CARD + HOT WATER APPIA COMP.	
04900780	SONDA PT1000 x LANCIA VAPORE "TURBO CREAM" D06 + SUPPORTO AD	PROBE PT1000 X STEAM WAND "TURBO CREAM" D06	
05000001	GOMMINO PROTEZIONE LANCIA D.10	STEAM ARM RUBBER GRI	
05000018	VASCHETTA SCARICO AURELIA	DRAIN BOX	
05000063	COPRI VALVOLA SICUREZZA PA6	SAFETY VALVE COVER	
05000815	MANOPOLA VAPORE ABS "AURELIA" 2011	STEAM LEVER HANDLE	
05000840	MANOPOLA PORTAFILTRO 2003 NERO	FILTER HOLDER KNOB 2003 BLACK	
05000842	CHIUSURA MANOPOLA PORTAFILTRO 2003	FILTER HOLDER KNOB LOCK 2003	
05000844	RIVESTIMENTO GOMMA NERA MANOPOLA PORTAFILTRO	BLACK RUBBER COVER FILTER HOLDER KNOB	
05000880	PROLUNGA PIEDE ALTO 2005 D.66 H=80 mm.	TALL FOOT EXTENSION D.66 H=80 MM.	
05000909	COPRI INTERRUOTTORE CILINDRICO	ABS SWITCH PROTECTION 2GR. APPIA	
05000952	BASAMENTO 2 GR. APPIA COMPACT NERO	BASE 2 GR. APPIA COMPACT	
05000952.BPV	BASAMENTO 2 GR. APPIA COMPACT BIANCO PERLA VERNICIATO	BASEMENT 2 GR. APPIA COMPACT PEARL WHITE VARNISHED	
05000952.RV	BASAMENTO 2 GR. APPIA COMPACT ROSSO VERNICIATO	BASEMENT 2 GR. APPIA COMPACT RED VARNISHED	
05001224.C	MOSTRINA MANOMETRO AURELIA II CROMATA	WATER MANOMETER CHROMED FRAME AURELIA II	
05002210	SUPPORTO ANGOLARE PIATTO RACCOGLIACQUA	FLAT ANGULAR WATER TRAY SUPPORT ADONIS	
05002228	COLLETTORE SCARICO GRUPPI EROG	POURING UNIT DRAIN MANIFOLD	
05002230	TAPPO GOMMA SCARICO x 05002228	DRAIN RUBBER PLUG	
05080035	PRESSA CAFFE' ABS NERO	PLASTIC COFFEE PRESS	
05340024	GRIGLIA NYLON 178x350	NYLON GRILL 178X350	
05340025	GRIGLIA NYLON 178x270	NYLON GRILL 178X270	
06200008	BECCO DUE VIE OPEN	TWO WAYS SPOUT	
07300012.M8	RACC. 1/4 1/4 GAS CON OR F.M8 OT-57 USA	CONNECTION 1/4 1/4 W/OR HOLE M8	
07300017	RACCORDO 1/4 3/8 GAS OT-57 USA	FITTING 1/4 3/8 GAS OT.	
07300051	RACCORDO T 1/4 M-M-M CILIN.	CONNECTION T 1/4 M-M-M CYLIN 464	
07300067	DADO RACCORDO 3/8 GAS D11 AGG. 15.11.84	NUT CONNECTION 3/8 GAS D11	
07300068	RACCORDO L 3/8 M-M CILIN. OT-58 NICHELATO	CONNECTION L 3/8 M-M CYLIN 459	
07300092	BECCO UNA VIA CURVO OPEN	SINGLE SPOUT	
07300097	TERMINALE CHIUSO D 14	TERMINAL D.14	
07300100.M8	ATTACCO SCAR. 1/4-1/4 + INT M8	DOWNLOAD FASTENING 1/4 DOWNLOAD TRAY WITH OR	
07300110	TAPPO PORTA MOLLA R.V. PR.	SPRING HOLDER TAP	
07300112	ATTACCO RUB. ACQUA OT-57 USA	FASTENING WATER PROGRAM TAP	
07300121	RACCORDO L 1/4 M-M CILIN 459 AGG. 18.02.97	CONNECTION L 1/4 M-M CYLIN. 459	
07300125	GIGLER M8x8 F.0,8	GIGLEUR M8X8 F.0.8	
07300126	GIGLER M8x8 F.1,5	GIGLEUR M8X8 F.1.5	
07300127	GIGLER M8x8 F.2,5	GIGLEUR M8X8 F.2.5	
07300128	TAPPO 1/4 GAS AGG.31.01.89	CAP 1/4 GAS	
07300171	TAPPO OT M20X1,5 GR. EROG.	TAPPO OT M20X1,5 GR. EROG. CAP	
07300172	RACCORDO 3/8" M-3/8" M INT M8 OT-57 USA	PIPE FITTING 3/8" M-3/8" M INT M8	
07300183	PADIGLIONE GRUPPO	GROUP HEAD CAP	
07300183.5	PADIGLIONE GRUPPO PREMIER2002 h=5 AGG. 30.08.2012	DIFFUSER h=5	
07300221	ASTA INOX RUBINETTO VAPORE	STEAM VALVE INOX SCREW	
07300225	GIGLER M8x8 F.3	GIGLEUR M8X8 F.3	
07300226	GIGLER M8x8 F.2	GIGLEUR M8X8 F.2	
07300227	RONDELLA OT D.26x13,5x1,5 AGG.5.06.03	BRASS WASHER D.26X13,5X1,5	
07300229	GIGLER M8x8 F.0,5	GIGLEUR M8X8 F.0.5	
07300231	GIGLER M8x8 F.1,75	GIGLEUR M8X8 F.1.75	
07300292	ATTACCO RUBINETTO PER LANCIA VAPORE SNODATA INOX	TAP FASTENING FOR FLEX. STAINLESS STEAM WAND	
07300293	BUSSOLA SNODO OTTONE	BRASS BUSHING	
07300295	DADO RACC. 3/8 LANCIA SNODATA OTTONE NICHELATO	WAND NUT 3/8	
07300355	FORCELLA RUBINETTO '99 OTTONE OT-58	TAP FORK	
07300361	RACCORDO L GIR 1/4 M-CALZAM.6 VITON 346 A NICHELATO	PIVOTING CONNECTION L 6 1/4 VITON346A	
07300362	RACCORDO DIR. 1/4 M-CALZ.6 340	STRAIGHT FITTING 1/4	
07300365	RACCORDO T 1/4 M-F-F	T FITTING 1/4 FFM	
07300531	RACCORDO L 1/4 F CALZAM. 347	CONNECTION L 1/4 F ACTUATOR 347	
07300601	INSERTO MANOPOLA PORTAFILTRO 2003 INOX (Aisi303)	FILTER HOLDER KNOB INSERTION 2003 STAINLESS	
07300619	INSERTO PROLUNGA PIEDE ALTO ES 20 L=70 + M10	INSERTION EXTENSION TALL FOOT ES 20 L=70 M10	
07300798	DADO RACC. 3/8 H=26 LANCIA SNODATA OTTONE NICHELATO	NUT BEND WAND	
07300800	CORPO RUB.VAPORE AURELIA II OT-58	STEAM TAP	
07300802	ATTACCO RUB. ACQUA/AUTOSTEAM AURELIA II OT-58	FASTENING WATER/AUTOSTEAM WAND AURELIA II	
07300810	SPINOTTO RUB.VAPORE AURELIA II	SPINOTTO RUB.VAPORE AURELIA II REPLACE 07300104	
08000005	MOLLA 6 ST 11,5X8,5X25 RUB.VAPORE	STEAM VALVE SPRING	
08000015	ANELLO SEEGER TIPO RS 5 INOX UNI7434 *KB*	SEEGER RING RS 5 STAINLESS STEEL	
08000017	MOLLA BLOCCA FILTRO ACC.INOX	FILTER HOLDER SPRING INOX	
08000027	MOLLA PER LANCIA SNODATA	WAND SPRING	
08000034	FASCETTA STRINGITUBO D12 *KB*	HOSE CLAMPS D12	
08000100	MOLLA INTERNA PIEDE 2005	SPRING	
09000004.UL	CENTRALINA AUTOLIVELLO UL 115V	SWITCHBOARD SELF-LEVEL UL 115V	
09000005	SONDA AUTOLIVELLO COMP. L=130	WATER LEVEL SENSOR	
09000015	CENTRALINA AUTOLIVELLO 230V	AUTO WATER FILL CIRCUI 230V	
09000015.UL	CENTRALINA AUTOLIVELLO UL 230V	AUTOLEVEL CONTROL BOARD UL 230V	
09000016	RUBINET. SFERA ALLACCIO RETE 3/8 M-F	TAP CONNECTION SUPPLY 3/8 M-F	
09000018	RUBINET. SFERA DISTRIBUTORE 1/4 M-F	DISPENSER TAP 1/4 M-F	
09100003	MANOMETRO DOPPIA SCALA 2,5;15 D.60	DOUBLE SCALE GAUGE	
09200006	PRESSOSTATO MACCHINA CE/UL	PRESSOSTAT	
09500004	TERMOSTATO R.MAN. 135°C	AUTOMATIC THERMOSTAT 135°C	
11600003	TUBO SILICONE 8x12 70Sh PEROX (1mt=75gr) TRASPARENTE	SILICON TUBE 8X12 70SH PEROX TRANSPARENT	
11600004	TUBO SILICONE 5x9 60Sh PEROX BIANCO SEMITRASPARENTE (1mt=5	SILICON PIPE WHITE 5x9 60Sh SEMI-TRANSPARENT	
11740001	TUBO TEFLON 6/4	TEFLON PIPE 4X6	
14100090	RESISTENZA 2600W 230V APPIA II COMPACT	HEATING ELEMENT 2600W 230 V APPIA II COMPACT	
14100091	RESISTENZA 1500W 115V APPIA II COMPACT	HEATING ELEMENT 1500W 115 V APPIA II COMPACT	
75006038.1	BECCO VAPORE M8,65x0,75 F. 1,2 ESAG.12	STEAM TIP	
75006038.2	BECCO VAPORE M8,65x0,75 F. 1,5 ESAG.12	STEAM NOOZLE M8,65x0	
75006070	KIT LANCIA VAPORE SNODATA INOX CON BECCO 1,5 E DADO ALTO INC	STEAM WAND TIP 1,2 NUT H=26	
82007003	ROMPIGETTO ACQUA CALDA D.23,5 F1/8"	HOT WATER DISPERSION	
98001006	PIEDE MACCHINA 06 BICOMPONENTE D.48 H=40 INSERTO M10 MASCHIO	MACHINE FEET replace 98001001	
98001008	KIT PIEDI ALTI 2006 (4 pz.)	KIT TALL FEET 2006 (4 PCS.)	
98003018	VALVOLA RITEGNO 98 ES.16	VALVOLA RITEGNO 98 ES.16 RETAIN VALVE	
98004001	FILTRO INOX DIAM. 8	FILTER INOX DIAM. 8	
98004016	FILTRO INOX DIAM. 12	STAINLESS FILTER DIAM. 12	
98005021	PORTAFILTRO INCLINATO COMP. 1 VIA N.S.	COMPLETE ERGONOMIC FILTERHOLDE1 SPOUT	
98005022	PORTAFILTRO INCLINATO COMP. 2 VIE N.S.	COMPLETE FILTERHOLDER 2 WAYS ERGONOMIC	
98005024	CORPO PORTAFILTRO INCLINATO + MANOPOLA N.S.	TILTED FILTERHOLDER +HANDLE	
98006021	ASSIEME MANOPOLA VAPORE "2004" DX	COMBINED STEAM KNOB "2004" RIGHT	
98006022	ASSIEME MANOPOLA VAPORE "2004" SX	COMBINED STEAM KNOB "2004" LEFT	

APPIA II COMPACT

CODICE	DESCRIZIONE	DESCRIPTION	END VALIDITY
98006055	KIT LANCIA VAPORE TURBOCREAM DADO ALTO APPIA II	KIT TURBOCREAM STEAM WAND HIGH NUT APPIA II	
98007007	KIT LANCIA ACQUA C. INOX L=100 COMPL. DI ROMPIGETTO 82007003	KIT HOT WATER SS WAND L=100 WITHOUT SPRAYEND	
98007009	KIT LANCIA ACQUA C. INOX L=70 COMP. DI ROMPIGETTO 82007003	KIT HOT WATER STAINLESS WAND L=70 W/SPRAYEND	
98008004	PISTONCINO CHIUSURA COMPLETO	COMPLETE STEAM VALVE PISTON	
98010000007120001	ASS. PULSANT. APPIA II COMPACT PELLICOLA S + SUPP. GR.BASSI	ASS. BUTTON PANEL APPIA II COMPACT S + SUPPORT LOW GROUP	
98010000007120002	ASS. PULSANT. APPIA II COMPACT PELLICOLA S + SUPP. GR.ALT	ASS. BUTTON PANEL APPIA II COMPACT S + SUPPORT HIGH GROUP	
98010000007130001	ASS. PULSANT. APPIA II COMPACT PELLICOLA V + SUPP. GR.BASSI	ASS. BUTTON PANEL APPIA II COMPACT V + SUPPORT LOW GROUP	
98010000007130002	ASS. PULSANT. APPIA II COMPACT PELLIC.V+SUPP. GR.BASSI AUTOSTEAM	ASS. BUTTON PANEL APPIA II COMPACT V + SUPPORT LOW GROUP	
98010000007140001	ASS. PULSANT. APPIA II COMPACT PELLICOLA V + SUPP. GR.ALT	ASS. BUTTON PANEL APPIA II COMPACT V + SUPPORT HIGH GROUP	
98010000007140002	ASS. PULSANT. APPIA II COMPACT PELLIC. V+SUPP. GR.ALT AUTOSTEAM	ASS. BUTTON PANEL APPIA II COMPACT V + SUPPORT HIGH GROUP	
98010000007200001	ASSIEME FIANCO DX APPIA II 2 GR. NERO	RIGHT SIDE PANEL ASSEMBLY APPIA II 2 GR. BLACK	
98010000007200003	ASSIEME FIANCO DX APPIA II BIANCO PERLA	RIGHT SIDE PANEL ASSEMBLY APPIA II WHITE PAINTED	
98010000007200004	ASSIEME FIANCO DX APPIA II ROSSO	RIGHT SIDE PANEL ASSEMBLY APPIA II RED	
98010000007210001	ASSIEME FIANCO SX APPIA II 2 GR. NERO	LEFT SIDE PANEL ASSEMBLY APPIA II 2 GR. BLACK	
98010000007210003	ASSIEME FIANCO SX APPIA II BIANCO PERLA	LEFT SIDE PANEL ASSEMBLY APPIA II WHITE PAINTED	
98010000007210004	ASSIEME FIANCO SX APPIA II ROSSO	LEFT SIDE PANEL ASSEMBLY APPIA II RED	
98010000007440001	ASSIEME PARETE FRONT. APPIA II COMPACT GR.BASSI	ASSEMBLY FRONT PANEL LOW GROUPS APPIA II COMPACT	
98010000007440002	ASSIEME PARETE FRONT. APPIA II COMPACT GR.ALT	ASSEMBLY FRONT PANEL HIGH GROUPS APPIA II COMPACT	
98013020	VALVOLA SICUREZZA A5 1/4 TARATA 1,8 BAR	SAFETY VALVE 1/4 1.8 BAR	
98030000007040001	ASSIEME CALDAIA COMP. APPIA II COMPACT 230V	BOILER ASSEMBLY COMP. APPIA II COMPACT 230V	
98030000007040002	ASSIEME CALDAIA COMP. APPIA II COMPACT 110V	BOILER ASSEMBLY COMP. APPIA II COMPACT 110V	
98030065	TUBO D.8 1/4 1/4 L=59,5	TUBE D.8 1/4 1/4 L=50	
98030075	TUBO CAPILLARE 1/8-1/4 0,9x2x400 MANOMETRO- POMPA	CAPILLARY TUBE 1/8-1/4 0,9X2X400 MANOM.-PUMP	
98030165	TUBO 1/4 1/4 MODIFICA SEMIAUT APPIA 1-2-3 GR.	TUBE 1/4 1/4 SEM CHANGE APPIA 1-2-3 GR	
98030260	TUBO SUP.SX 3/8 3/8 GR.BASSO APPIA COMPACT	LEFT UPPER TUBE 3/8 3/8 LOW GR. APPIA COMP.	
98030261	TUBO SUP.DX 3/8 3/8 GR.BASSO APPIA COMPACT	UPPER RIGHT TUBE 3/8 3/8 LOW GR. APPIA COMP	
98030262	TUBO INF. 3/8 3/8 GR.BASSO APPIA COMPACT	LOWER TUBE 3/8 3/8 LOW GR. APPIA COMPACT	
98030264	TUBO SUP.SX 3/8 3/8 GR.ALTO APPIA COMPACT	UPPER RIGHT TUBE 3/8 3/8 HIGH GR. APPIA COMP	
98030265	TUBO SUP.DX 3/8 3/8 GR.ALTO APPIA COMPACT	UPPER TUBE 3/8-3/8 LOW GR. APPIA 1 GR.	
98030266	TUBO INF. 3/8 3/8 GR.ALTO APPIA COMPACT	LOWER TUBE 3/8 3/8 HIGH GR. APPIA COMPACT	
98030272	CROCIERA PRESSOSTATO-MANOMETRO APPIA COMPACT	CROSSPIECE PRESSOSTAT-MANOMETER APPIA	
98030274	TUBO 3/8-1/4 CALDAIA-T MISCELA TORE A. CALDA APPIA COMPACT	TUBE 3/8-1/4 BOILER-T H.W. MIXER EV APPIA C	
98030276	TUBO 3/8 1/4 CALDAIA-ATTACCO A CALDA APPIA COMPACT	TUBE 3/8 1/4 BOILER-HOT WATER APPIA COMPACT	
98030278	CROCIERA INGRESSO-NEPLAS-RUB. BYPASS-EV LIVELLO-DOSATORI	CROSSPIECE ENTRANCE-NEPL-TAP BYPASS-DOSER	
98030280	TUBO COLL. GR.IDRAUL.- SCAMB. SX APPIA COMPACT	TUBE 1/4 3/8 DOSER- LEFT EXCHANGER APPIA COMP	
98030281	TUBO COLL. GR.IDRAUL.- SCAMB. DX APPIA COMPACT	TUBE 1/4 3/8 DOSER-RIGHT EXCHANGER APPIA COMP	
98030287	TUBO 1/4 3/8 EV.LIVELLO- RUB. BY PASS- CALDAIA APPIA COMPACT	TUBE 1/4 3/8 EV. LEVEL- TAP BYPASS- BOILER	
98030289	TUBO 1/4 1/8 SCARICO APPIA COMPACT	TUBE 1/4 1/8 DOWNLOAD APPIA COMPACT	
98030292	TUBO TEFLON INT. SCAMBIATORE D.6 x 160 mm.	INT. TEFLON TUBE EXCHANGER D.6 X 160 MM.	
98030294	TUBO 3/8-1/4 CALDAIA-EV 3 VIE APPIA COMPACT AUTOSTEAM	TUBE 3/8-1/4 BOILER-3W. EV APPIA COMPACT	
98030630	CALDAIA SALDATA APPIA COMPACT II	WELDED BOILER APPIA COMACT II	
98030640	TUBO LANCIA VAP. DX APPIA II COMPACT	STEAM WAND PIPE RIGHT APPIA II COMPACT	
98030642	TUBO LANCIA VAP. SX APPIA II COMPACT	STEAM WAND PIPE LEFT APPIA II COMPACT	
98030644	TUBO E.V. AUTOSTEAM - LANCIA APPIA II COMPACT	TUBE SV AUTOSTEAM-STEAM WAND APPIA II COMPACT	
98030646	TUBO VALVOLA SICUREZ. APPIA II COMPACT	TUBE SECURITY VALVE APPIA II COMPACT	
980400000005000001	ASSIEME GRUPPO EROG.APPIA II CE 220-230V 50Hz	GROUP ASSEMBLY APPIA II CE 220-230V 50Hz	
980400000005000006	ASSIEME GRUPPO EROG.APPIA II ETL/CSA 208-240V 60Hz	GROUP ASSEMBLY APPIA II ETL/CSA 208-240V 60Hz	
980400000005000010	ASSIEME GRUPPO EROG.APPIA II CSA 110-120V 60Hz	GROUP ASSEMBLY APPIA II CSA 110-120V 60Hz	
980400000005020001	ASSIEME GRUPPO EROG. DX APPIA II COMPACT CE 220-230V 50Hz	GROUP ASSEMBLY APPIA II CE 220-230V 50Hz	
980400000005020004	ASSIEME GRUPPO EROG. DX APPIA II COMPACT ETL/CSA 208-240V 60Hz	GROUP ASSEMBLY APPIA II ETL/CSA 208-240V 60Hz	
980400000005020005	ASSIEME GRUPPO EROG. DX APPIA II COMPACT CSA 110-120V 60Hz	GROUP ASSEMBLY APPIA II CSA 110-120V 60Hz	
980600000000250	ASS. RUBINETTO VAPORE + LANCIA VAPORE CON DADO ALTO APPIA II	STEAM WAND + STEAM TAP ASSEMBLY	
980600000000251	ASS. RUBINETTO VAPORE + LANCIA VAPORE CON DADO ALTO APPIA II BE	ASSEMBLY STEAM TAP + STEAM WAND HIGH NUT APPIA II	
98120001	VALVOLA NEPLAX VITON 16,5 BAR 1/8 - PORTAGOMMA	NEPLAX VITON 16,5 BAR VALVE 1/8 HOSE CLAMP	
98130000000013	ASSIEME VALVOLA SICUREZZA APPIA II COMPACT	SECURITY VALVE ASSEMBLY APPIA II COMPACT	
981600000007050001	ASSIEME PULSANTIERA COMP.APPIA II COMPACT SEM GR.BASSI	ASSEMBLY CONTROL PANEL APPIA II COMPACT SEM LOW GROUPS	
981600000007050002	ASSIEME PULSANTIERA COMP.APPIA II COMPACT SEM GR.ALT	ASSEMBLY CONTROL PANEL APPIA II COMPACT SEM HIGH GROUPS	
981600000007150001	ASSIEME PULSANTIERA COMP.APPIA II COMPACT VOL GR.BASSI	ASSEMBLY CONTROL PANEL APPIA II COMPACT VOL LOW GROUPS	
981600000007150002	ASSIEME PULSANTIERA COMP.APPIA II COMPACT VOL GR.ALT	ASSEMBLY CONTROL PANEL APPIA II COMPACT VOL HIGH GROUPS	
981600000007150003	ASSIEME PULSANTIERA COMP.APPIA II COMPACT VOL AUTOSTEAM GR.B	ASSEMBLY CONTROL PANEL APPIA II COMPACT VOL AUTOSTEAM LOW GF	
981600000007150004	ASSIEME PULSANTIERA COMP.APPIA II COMPACT VOL AUTOSTEAM GR.A	ASSEMBLY CONTROL PANEL APPIA II COMPACT VOL AUTOSTEAM HIGH GF	

APPIA II COMPACT